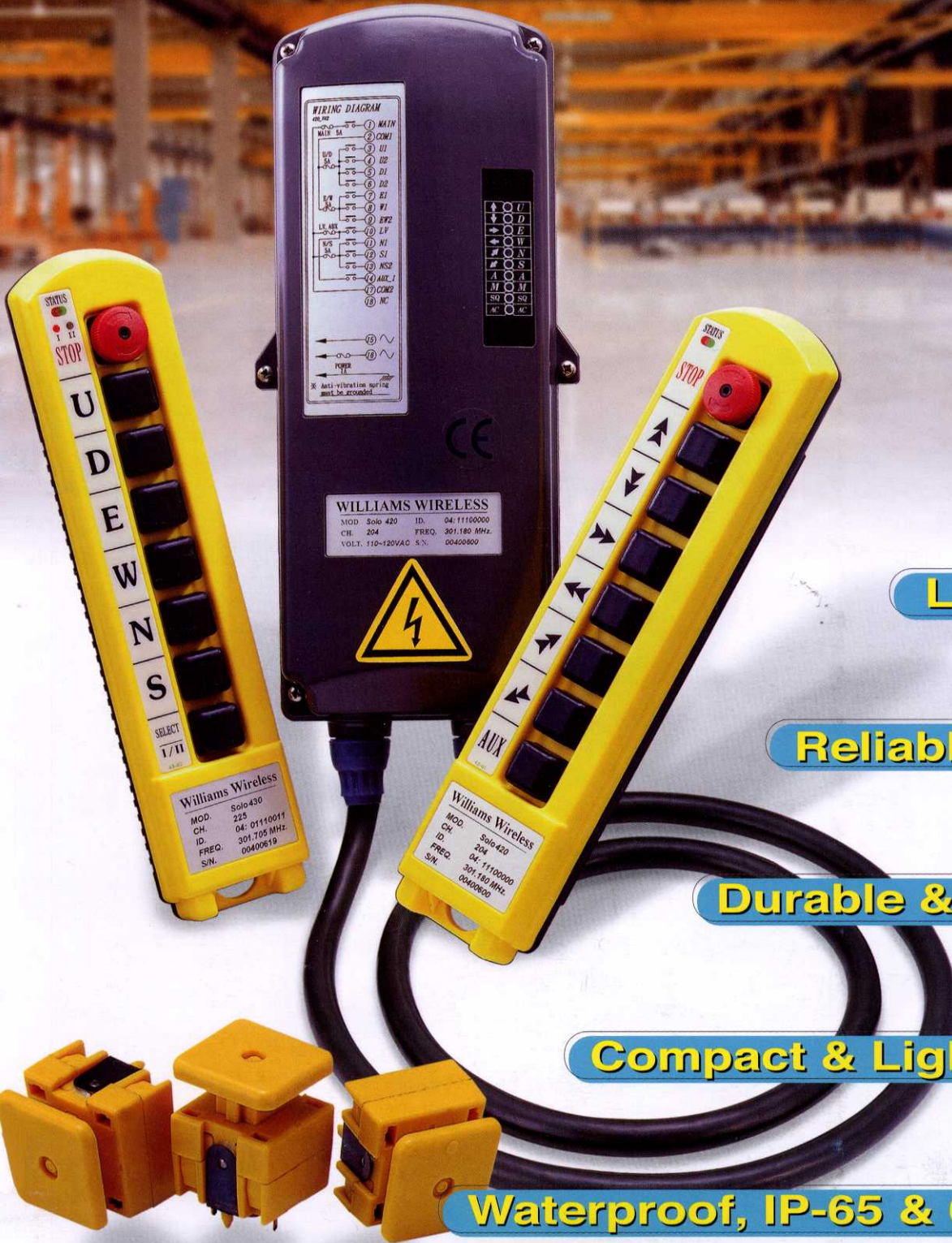


# Williams Wireless Pendants

# Solo 400 Series

## Industrial Radio Remote Controls



**Low Cost**

**Reliable & Safe**

**Durable & Rugged**

**Compact & Lightweight**

**Waterproof, IP-65 & 66 Rated**

# Designed

## 100% Error Free Transmission

Advanced microprocessor with highly evolved software that has redundant error checking and correcting capabilities to ensure 100% error-free transmission, decoding, and control of all output relays. This highly evolved software includes advanced CRC (Cyclical Redundancy Check) and Hamming Code (Error Recovery) programming.

## Safe Design

Safety features include receiver self-diagnosing, transmitter self-diagnosing, long travel startup warning, transmitter low-voltage detection and warning, transmitter and receiver MAIN deactivation when the transmitter is not in use, during transmitter low-voltage, and when the system is in sleep mode.

## One Million Press Cycles

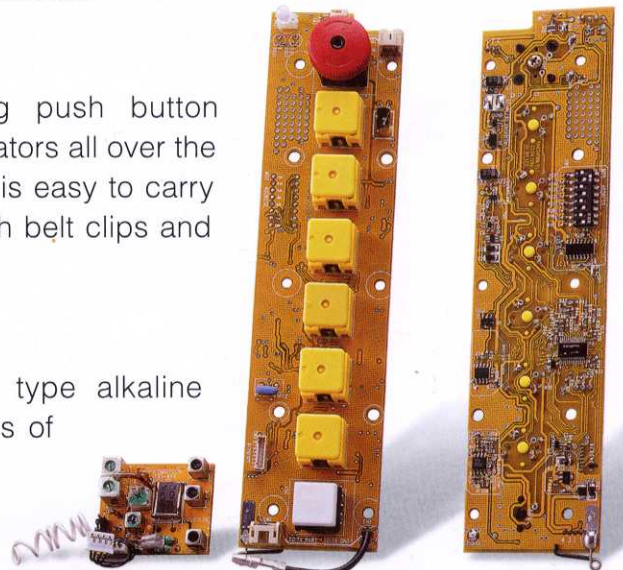
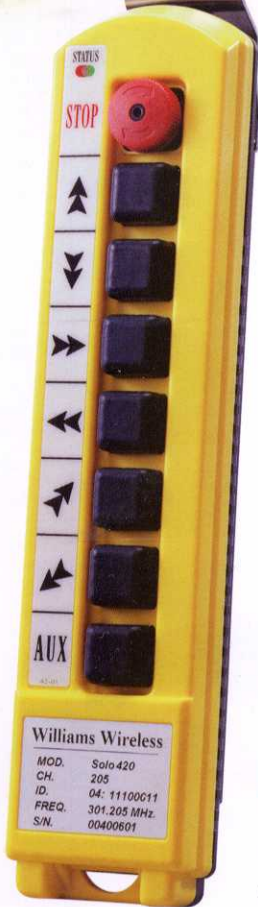
Custom designed 2-step pushbuttons are extremely durable and reliable for a minimum of up to one million press cycles. Unlike most of the 2-step pushbuttons available from other radio control manufacturers, these pushbuttons are easily manipulated even when the operator is wearing gloves. The snap action pushbutton provides positive tactile feedback to the operator.

## Familiar Pendant Design

Our transmitter design mimics existing push button pendants making it instantly familiar to operators all over the world. Its lightweight and compact design is easy to carry and operate. Transmitters are furnished with belt clips and a suspension bracket is also supplied for fixed installations.

## 200 Hour Battery Life

Efficient power saving circuit requires only three "AA" type alkaline batteries. The battery life is good for more than 200 hours of continuous operation between battery replacements, which ensures higher productivity in the workplace by minimizing frequent replacement or recharging of batteries.



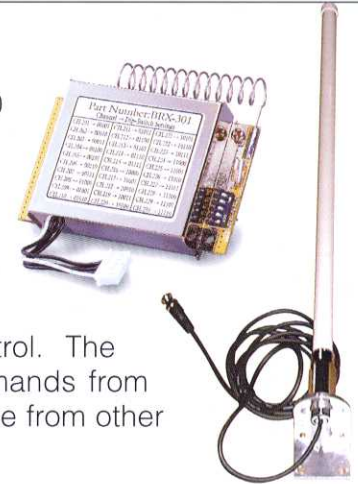
# WILLIAMS WIRELESS PENDANTS

Visit our website at : [www.williamsyrless.com](http://www.williamsyrless.com)

# with Safety in Mind

## Synthesized RF

Our receiving unit is equipped with a PLL synthesized RF module with 30 user-selectable channels (frequencies) adjusted via simple dip switch settings. The RF module includes an internal antenna for your convenience. Our optional high gain external antenna is available at additional cost.



## 32,768 Unique ID Codes

The encoder and decoder system utilizes advanced microprocessor control. The availability of 32,768 sets of unique ID codes will ensure that only commands from the matching control transmitter can be carried out without any interference from other radio systems.

## Main Safety Relay

For added safety our advanced design utilizes a special Safety Relay for the Main EMS circuit. If the receiver MAIN relay is defective (Example: Fails to open in response to a Stop command) a fault will be detected and the system will shutdown (open) all output relays immediately.

## Waterproof & Durable

The transmitter and receiver enclosures are fully sealed to prevent ingress of dust, water, oil, grease, alkaline and acids (not intended for submerged operation). Enclosures are manufactured from high grade composite materials that are resistant to high impacts and deformation due to long term exposure to heat, sunlight and harsh environments.

## Total Solution

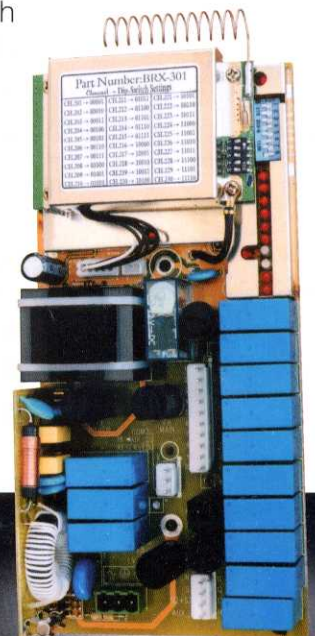
Prewired receiver with 6 foot multi-conductor cable, numbered wires with terminals, cable grip and detailed schematic on the receiver face. Our total solution reduces the installation time, no other pre-assembly or purchases are required.

## No Site License Required

All systems are in full compliance with the FCC Part-15 Rules, European Directives (CE/CB) and Industry Canada specifications. No site license is required.

## One Year Guarantee

Warranted against defects in materials and workmanship for one year from the date of purchase, parts only, contact the factory for details.

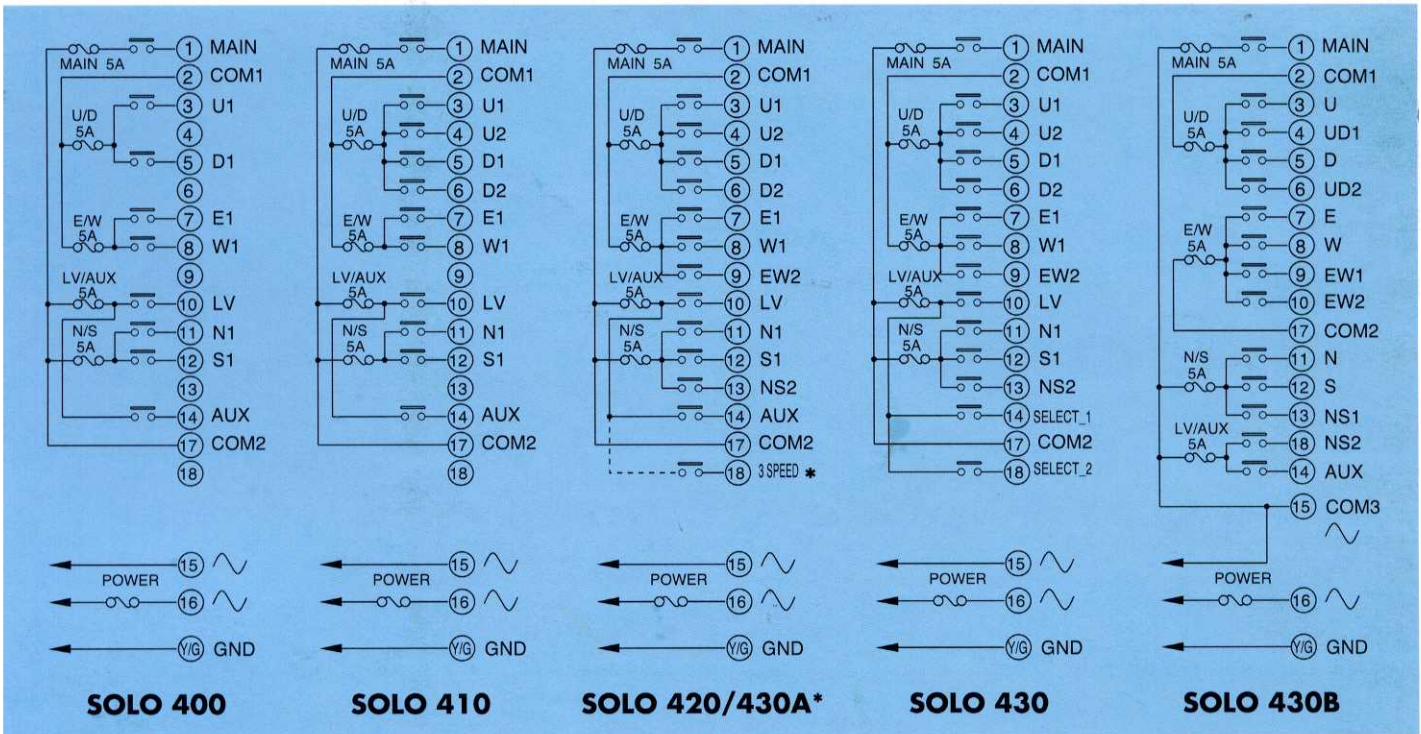


<http://www.solo400.com>

**SOLO 400 SERIES**

*Designed and manufactured by an ISO 9001 certified company.*

# WIRING SCHEMATICS



## SOLO 400 SPECIFICATIONS

TRANSMITTER		RECEIVER	
Frequency Range	301MHz	Modulation	Narrow Band FM
Channel Spacing	25KHz	Decoding Reference	Quartz Crystal
Transmitting Range	Internal Antenna @ 200 Feet External Antenna @ 300 Feet*	Frequency Control	Synthesizer (PLL)
Hamming Distance	6	Sensitivity	-120dBm
Frequency Control	Quartz Crystal	Responding Time	40mS
Transmitting Power	~0.3mW	Output Contact	250V @ 10A
Enclosure Rating	IP-66 (Waterproof)	Enclosure Rating	IP-65
Source Voltage	4.5V ("AA" x 3)	Source Voltage :	110~120VAC @ 60Hz
Current Drain	10 ~ 18mA	Power Consumption	11VA
Operating Temp.	-13°F ~ 158°F	Operating Temp.	-13°F ~ 158°F
Dimension	10.7 x 2.48 x 1.85 (inch)	Dimension	12.2 x 5.3 x 2.8 (inch)
Weight	15.5 oz (with batteries)	Weight	4.0lb (with output cable)

\*Note: External antenna recommended for all outdoor application's, cranes with high travel speeds and runways longer than 200 ft.

### AVAILABLE IN SIX MODELS

Solo 400	6 single-speed buttons + AUX + EMS Stop.
Solo 410	2 dual-speed buttons + 4 single-speed buttons + AUX + EMS.
Solo 420	6 dual-speed buttons (3 wire cumulative) + AUX + EMS + 2 Separate Common Circuits (Typical).
Solo 430	6 dual-speed buttons + SELECT button for dual hoist and trolley + EMS.
Solo 430A	6 dual-speed buttons + 3rd Speed/AUX button + EMS.
Solo 430B	6 dual-speed buttons (4 wire non-cumulative) + AUX + EMS + 3 Separate Common Circuits.

## Williams Wireless, LLC

13101 Eckles Road, Plymouth, Michigan 48170  
 Phone: 1-734-416-5520 Fax: 1-734-416-1907  
 E-mail: williamsyrless@aol.com  
 Contact: Terry Williams  
 Website: www.williamsyrless.com

Distributed by: